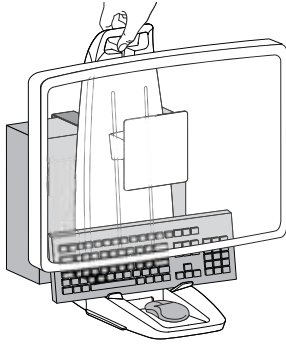


Ergotron® Neo-Flex™

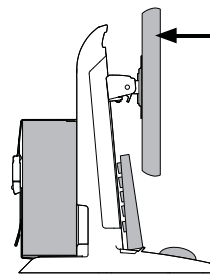
Dimensional &
Range of Motion
Illustrations

Neo-Flex All-In-One Lift Stands



Maximum dimensions of CPU or console:
14" x 4" (356 x 101 mm)
-or- circumference of 36" (914 mm)
Minimum dimensions of CPU or console:
7" x 1.8" (178 x 46 mm)
-or- circumference of 17.6" (447 mm)

Weight Capacity:

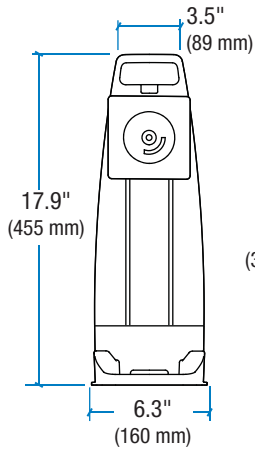


Weight Capacity
for Display:
6 - 16 lbs
(2.7 - 7.2 kg)

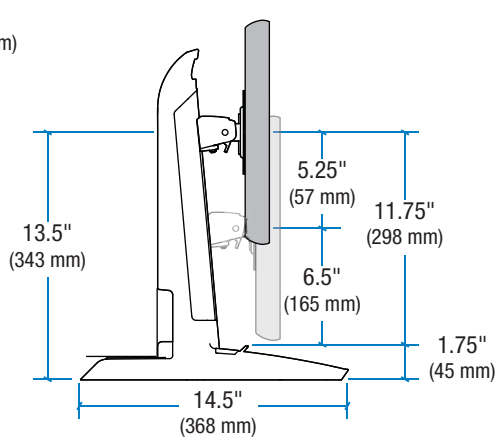
Total Maximum Weight
Capacity for Stand:
(includes display, CPU,
keyboard and mouse)



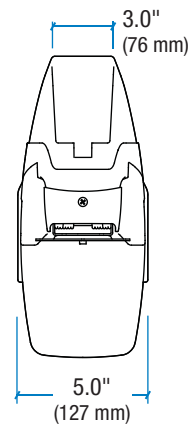
37 lbs
(16.7 kg)



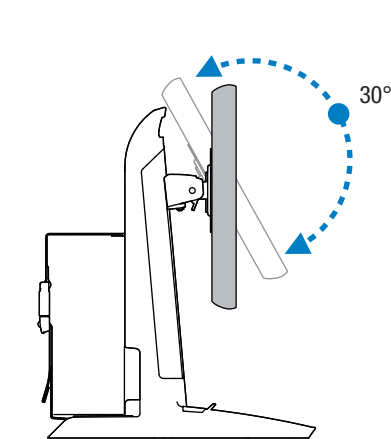
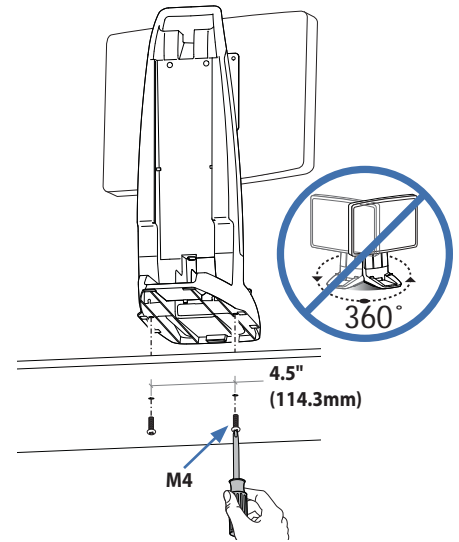
Front View



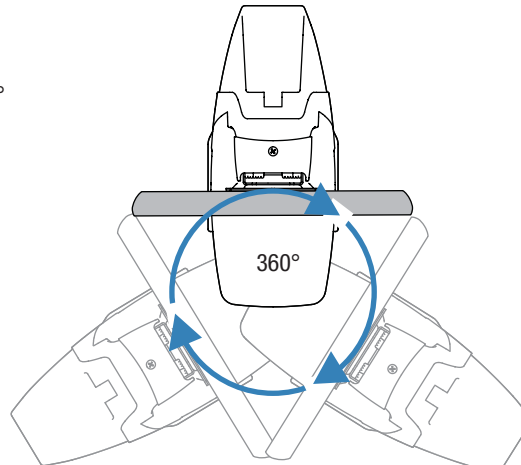
Side View



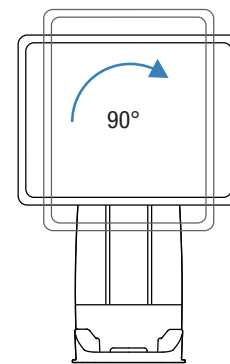
Top View



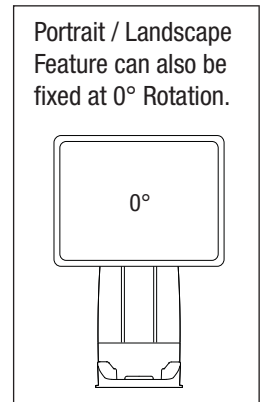
Side View



Top View



Front View



© 2009 Ergotron, Inc. rev. 09/24/2009 DIM-074-D Content is subject to change without notification

Americas Sales and Corporate Headquarters

St. Paul, MN USA
(800) 888-8458
+1-651-681-7600
www.ergotron.com
sales@ergotron.com

EMEA Sales

Amersfoort, The Netherlands
+31 33 45 45 600
www.ergotron.com
info.eu@ergotron.com

APAC Sales

Tokyo, Japan
www.ergotron.com
apaccustomerservice@ergotron.com

Worldwide OEM Sales

www.ergotron.com
info.oem@ergotron.com

