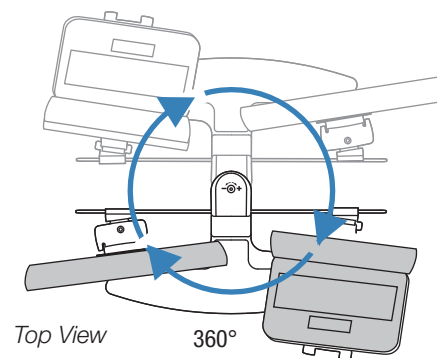
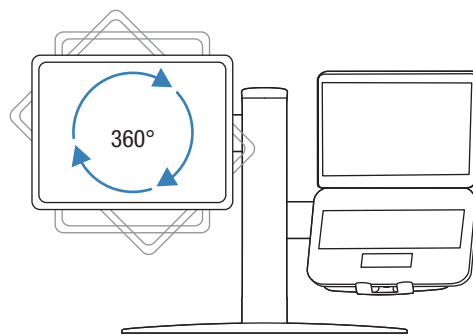
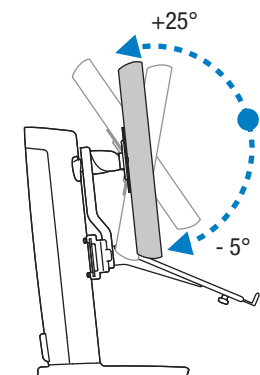
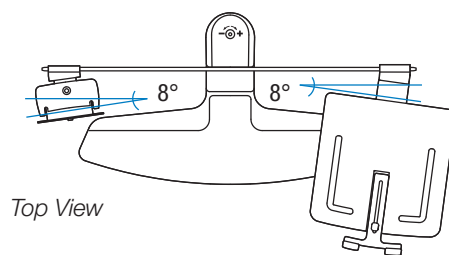
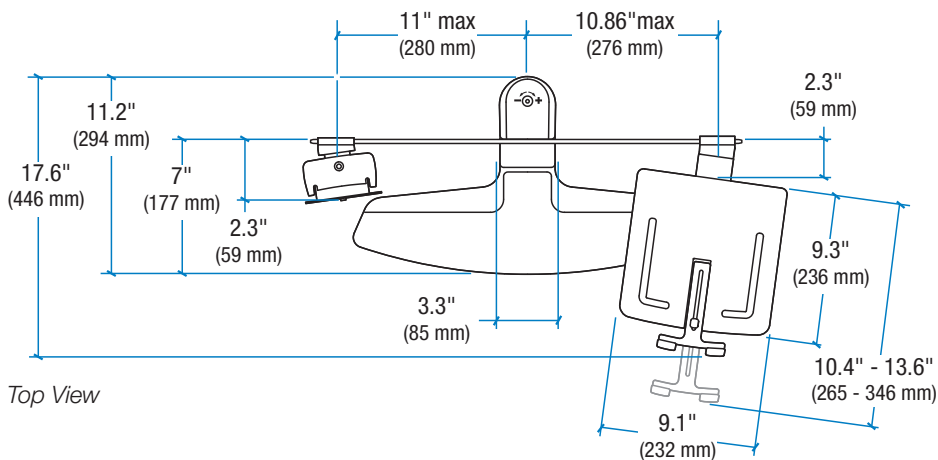
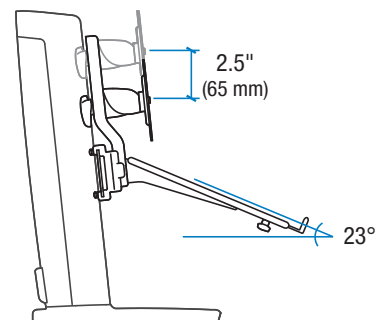
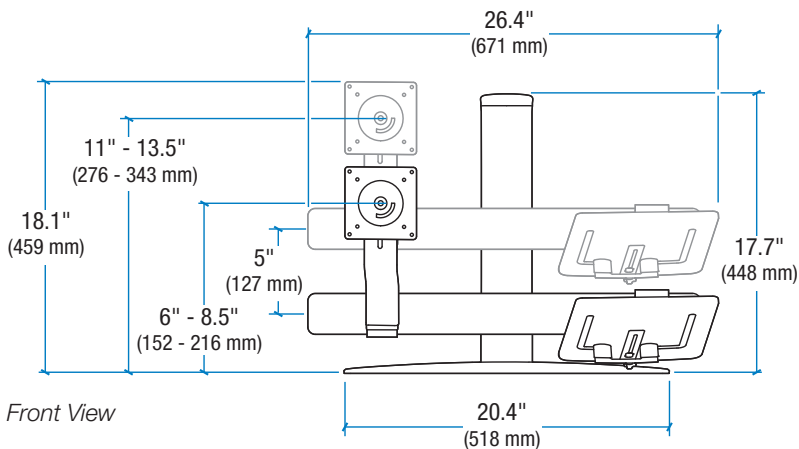


Ergotron® Neo-Flex™

Dimensional &
Range of Motion
Illustrations

Neo-Flex Combo Lift Stand: 33-331-057



*Dimensions reflect a display on the left and notebook on the right.
The Lift Stand can also be configured with display on right and notebook on the left.

© 2008 Ergotron, Inc. rev. 10/14/2008 DIM-074-A Content is subject to change without notification

Americas Sales and Corporate Headquarters

St. Paul, MN USA
(800) 888-8458
+1-651-681-7600
www.ergotron.com
sales@ergotron.com

EMEA Sales

Amersfoort, The Netherlands
+31 33 45 45 600
www.ergotron.com
info.eu@ergotron.com

APAC Sales

Singapore
www.ergotron.com
info.apac@ergotron.com

Worldwide OEM Sales

www.ergotron.com
info.oem@ergotron.com